

# ***PALM TECHNOLOGY CO., LTD.***

## ***The LCD(M) Specialist***

*CONTACT ADDRESS : 10F-1, No.392, Yu-Cheng Rd., Tso-Ying Dist.,  
KHH, Taiwan, R.O.C.  
Tel: 886-7-5587228  
Fax: 886-7-5587229  
E-mail: sales@palmtech.com.tw*

PART NO.: PMC1602J-SBLW

FOR MESSRS.: \_\_\_\_\_

### ***CONTENTS***

<b><i>NO.</i></b>	<b><i>ITEM</i></b>	<b><i>PAGE</i></b>
1.	COVER	1
2.	RECORD OF REVERSION	2
3.	GENERAL SPECIFICATION	3
4.	MECHANICAL DATA	3
5.	ABSOLUTE MAXIMUM RATINGS	4
6.	ELECTRICAL CHARACTERISTICS	5
7.	OPTICAL CHARACTERISTICS	5
8.	OUTLINE DIMENSION	6
9.	BLOCK DIAGRAM	7
10.	POWER SUPPLY FOR LCM	7

ACCEPTED BY: \_\_\_\_\_ PROPOSED BY : \_\_\_\_\_



### **3. General specifications**

#### **3.1 General specifications**

PLEASE REFER TO:

“CUSTOMER ACCEPTANCE STANDARD SPECIFICATIONS (MS-10-12780)”.

#### **3.2 This individual specification is prior to general specifications**

### **4. Mechanical data**

- (1) NUMBER OF CHARACTER----- 16 CH \* 2 LINE
- (2) MODULE SIZE----- 122.0 L \* 44.0 W \* 15.0 T (max) mm
- (3) EFFECTIVE AREA ----- 99.0 W \* 24.0 H mm
- (4) CHARACTER PATTERN ----- 5 \* 7 DOTS + CURSOR
- (5) CHARACTER SIZE ----- 4.84 W \* 8.06 H mm
- (6) CHARACTER PITCH ----- 6.0 mm
- (7) DOT SIZE----- 0.92 W \* 1.10 H mm
- (8) DOT PITCH ----- 0.98 W \* 1.16 H mm
- (9) VIEWING DIRECTION----- 6 O’CLOCK
- (10) LCD TYPE ----- STN.BLUE/NEGATIVE.TRANSMISSIVE.
- (11) LED BACKLIGHT COLOR----- WHITE

## 5. Absolute maximum ratings

### 5.1 Electrical absolute maximum ratings

<i>I T E M</i>	<i>SYMBOL</i>	<i>MIN.</i>	<i>MAX.</i>	<i>UNIT</i>	<i>COMMENT</i>
POWER SUPPLY FOR LOGIC	V <sub>DD</sub> -V <sub>SS</sub>	0	6.0	V	-----
INPUT VOLTAGE	V <sub>I</sub>	V <sub>SS</sub>	V <sub>DD</sub>	V	-----
STATIC ELECTRICITY	-----	-----	100	V	NOTE (1)
POWER SUPPLY FOR LED	V <sub>LED</sub>	-----	6.0	V	-----

NOTE (1): ELECTRO-STATIC DISCHARGE RESISTANCE IS TESTED BY CHARGING A 200PF CAPACITOR AND DISCHARGING IT BY CONTACT WITH A INTERFACE CONNECTOR PIN.

### 5.2 Environmental absolute maximum ratings

<i>I T E M</i>	<i>OPERATING</i>		<i>STORAGE</i>		<i>COMMENT</i>
	<i>MIN.</i>	<i>MAX.</i>	<i>MIN.</i>	<i>MAX.</i>	
AMBIENT TEMPERATURE	0°C	50°C	-20°C	70°C	-----
HUMIDITY	NOTE (2)		NOTE (2)		NO CONDENSATION
VIBRATION NOTE (3)	-----	0.5G	-----	2G	10 ~ 300Hz XYZ DIRECTIONS 1 Hr EACH
SHOCK NOTE (3)	-----	3G	-----	50G	10 msec XYZ DIRECTIONS 1 TIME EACH
CORROSIVE GAS	NOT ACCEPTABLE		NOT ACCEPTABLE		-----

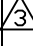
NOTE (2): Ta ≤ 50°C: 90%RH MAX.

Ta > 50°C: ABSOLUTE HUMIDITY MUST BE LOWER THAN THE HUMIDITY OF 90% RH AT 50°C. (80% RH AT 60°C)

NOTE (3): 1G = 9.8 m/s<sup>2</sup>

## 6. Electrical characteristics

Ta = 25°C VDD = 5.0 ± 0.25 V

<i>I T E M</i>	<i>SYMBOL</i>	<i>CONDITION</i>	<i>MIN.</i>	<i>TYP.</i>	<i>MAX.</i>	<i>UNIT</i>	
INPUT VOLTAGE	V <sub>IH</sub>	-----	2.2	-----	V <sub>DD</sub>	V	
	V <sub>IL</sub>	-----	-0.3	-----	0.6	V	
OUTPUT VOLTAGE (H LEVEL)	V <sub>OH</sub>	-I <sub>OH</sub> = 0.2 mA	2.4	-----	-----	V	
	V <sub>OL</sub>	I <sub>OL</sub> = 1.6 mA	-----	-----	0.4	V	
POWER SUPPLY CURRENT	I <sub>DD</sub>	V <sub>DD</sub> = 5.0V	-----	1.0	1.5	mA	
RECOMMENDED LCD DRIVING VOLTAGE , NOTE (1)	V <sub>DD</sub> -V <sub>O</sub>	DUTY =1/16 Φ=10° θ = 0°	Ta= 0°C	-----	4.7	-----	V
			Ta=25°C	-----	4.5	-----	V
			Ta=50°C	-----	4.3	-----	V
POWER SUPPLY CURRENT FOR LED	 I <sub>LED</sub>	V <sub>LED</sub> =4.0V	-----	45	60	mA	

NOTE (1): RECOMMENDED LCD DRIVING VOLTAGE MAY FLUCTUATE ABOUT ± 0.5V BY EACH MODULE.

## 7. Optical characteristics

Ta = 25°C V<sub>DD</sub>-V<sub>O</sub> = 4.5V

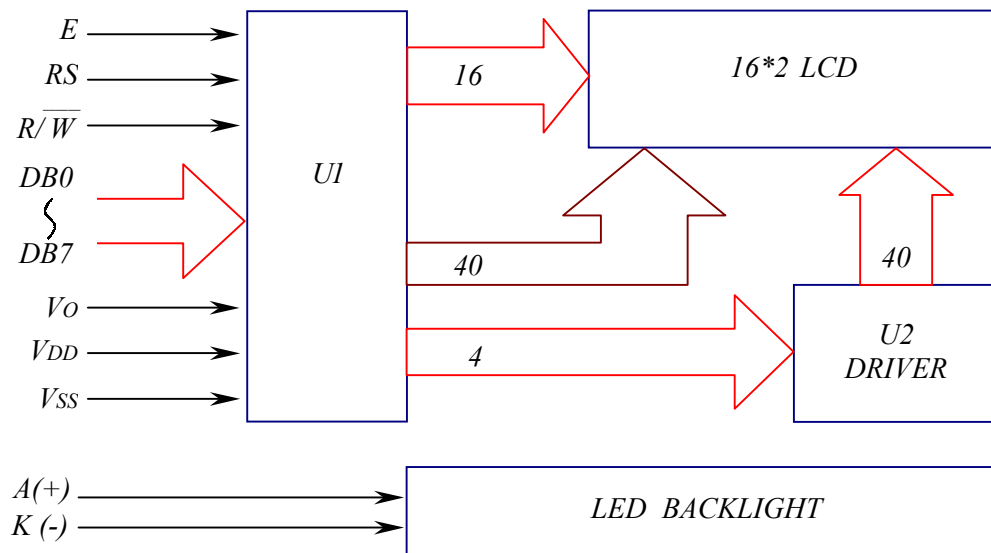
<i>I T E M</i>	<i>SYMBOL</i>	<i>CONDITION</i>	<i>MIN.</i>	<i>TYP.</i>	<i>MAX.</i>	<i>UNIT</i>	<i>NOTE</i>
VIEWING ANGLE	Φ2-Φ1	K = 2.0 θ = 0°	30	40	-----	deg.	1
CONTRAST RATIO	K	Φ = 10° θ = 0°	4.0	5.0	-----	-----	1
RESPONSE TIME	tr (rise)	Φ = 10° θ = 0°	-----	200	350	ms	1
	tf (fall)	Φ = 10° θ = 0°	-----	300	400	ms	1
BRIGHTNESS FOR LED BACKLIGHT	B	Φ = 0° θ = 0°	6.0	-----	-----	cd/m <sup>2</sup>	1,2

NOTE (1): SEE CUSTOMER ACCEPTANCE STANDARD SPECIFICATION FOR DEFINITION OF OPTICAL CHARACTERISTICS.

NOTE (2): UNDER NORMAL TEMPERATURE AND HUMIDITY IN A DARK ROOM.



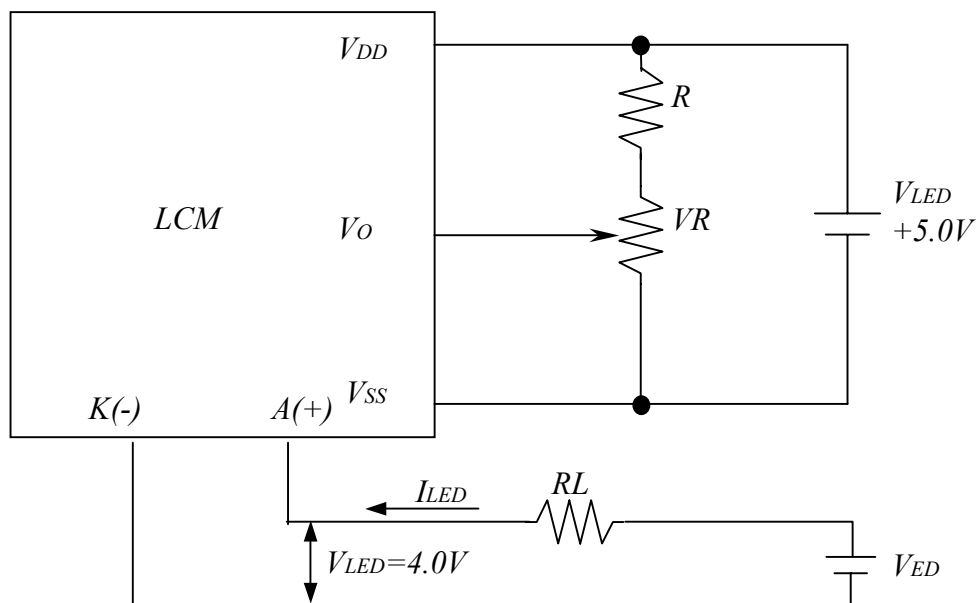
## 9. Block diagram



## Display data address charts

Character	1	2	3	4	5	6	7	8	9	10	11	12	13	14	15	16
LINE 1	00	01	02	03	04	05	06	07	08	09	0A	0B	0C	0D	0E	0F
LINE 2	40	41	42	43	44	45	46	47	48	49	4A	4B	4C	4D	4E	4F

## 10. Power supply for LCM



RECOMMENDED RESISTOR R:  $V_{DD} - V_0 \geq 1.5V$

$R_L \geq ((V_{ED} - 4.0V) / I_{LED})$ ,  $I_{LED} \leq 60mA$

$V_{DD} - V_0$ : LCD DRIVING VOLTAGE

VR:  $10K\Omega \sim 20K\Omega$