



PALM TECHNOLOGY CO., LTD.

The LCD(M) Specialist

CONTACT ADDRESS : 10F-1, No.392, Yu-Cheng Rd., Tso-Ying Dist.,
KHH, Taiwan, R.O.C.
Tel: 886-7-5587228
Fax: 886-7-5587229
E-mail: sales@palmtech.com.tw

PART NO. : PMC1604B-SYL

FOR MESSRS. : _____

CONTENTS

<i>NO.</i>	<i>ITEM</i>	<i>PAGE</i>
1.	COVER	1
2.	RECORD OF REVISION	2
3.	GENERAL SPECIFICATION	3
4.	MECHANICAL DATA	3
5.	ABSOLUTE MAXIMUM RATINGS	4
6.	ELECTRICAL CHARACTERISTICS	5
7.	OPTICAL CHARACTERISTICS	5
8.	OUTLINE DIMENSION	6
9.	BLOCK DIAGRAM	7
10.	POWER SUPPLY	7

ACCEPTED BY : _____ PROPOSED BY : _____

RECORD OF REVISION

DATE	PAGE	SUMMARY

3. General specifications

3.1 General specifications

PLEASE REFER TO:

“CUSTOMER ACCEPTANCE STANDARD SPECIFICATIONS (MS-10-12780)”.

3.2 This individual specification is prior to general specifications

4. Mechanical data

- (1) NUMBER OF CHARACTER----- 16 CH * 4 LINE
- (2) MODULE SIZE----- 87.0 W * 60.0 H * 15.0 T (Max) mm
- (3) EFFECTIVE AREA----- 61.8 W * 25.2 H mm
- (4) CHARACTER PATTERN----- 5 * 7 DOTS + CURSOR
- (5) CHARACTER SIZE----- 2.96 W * 4.16 H mm
- (6) CHARACTER PITCH----- 3.55 mm
- (7) DOT SIZE----- 0.56 W * 0.56 H mm
- (8) DOT PITCH----- 0.60 W * 0.60 H mm
- (9) VIEWING DIRECTION----- 6 O’CLOCK
- (10) LCD TYPE----- STN.YELLOW-GREEN.TRANSFLECTIVE
- (11) LED COLOR----- YELLOW-GREEN

5. Absolute maximum ratings

5.1 Electrical absolute maximum ratings

<i>I T E M</i>	<i>SYMBOL</i>	<i>MIN.</i>	<i>MAX.</i>	<i>UNIT</i>	<i>COMMENT</i>
POWER SUPPLY FOR LOGIC	V _{DD} -V _{SS}	0	6.0	V	-----
INPUT VOLTAGE	V _I	V _{SS}	V _{DD}	V	-----
STATIC ELECTRICITY	-----	-----	100	V	NOTE (1)
POWER SUPPLY FOR LED	V _{LED}	-----	6.0	V	-----

NOTE (1): ELECTRO-STATIC DISCHARGE RESISTANCE IS TESTED BY CHARGING A 200PF CAPACITOR AND DISCHARGING IT BY CONTACT WITH A INTERFACE CONNECTOR PIN.

5.2 Environmental absolute maximum ratings

<i>I T E M</i>	<i>OPERATING</i>		<i>STORAGE</i>		<i>COMMENT</i>
	<i>MIN.</i>	<i>MAX.</i>	<i>MIN.</i>	<i>MAX.</i>	
AMBIENT TEMPERATURE	0°C	50°C	-20°C	70°C	-----
HUMIDITY	NOTE (2)		NOTE (2)		NO CONDENSATION
VIBRATION NOTE (3)	-----	0.5G	-----	2G	10~300Hz XYZ DIRECTIONS 1 Hr EACH
SHOCK NOTE (3)	-----	3G	-----	50G	10 msec XYZ DIRECTIONS 1 TIME EACH
CORROSIVE GAS	NOT ACCEPTABLE		NOT ACCEPTABLE		-----

NOTE (2) : Ta ≤ 50°C : 90% RH MAX.

Ta > 50°C : ABSOLUTE HUMIDITY MUST BE LOWER THAN THE HUMIDITY OF 90% RH AT 50°C. (80% RH AT 60°C)

NOTE (3): 1G = 9.8 m/s²

6. Electrical characteristics

$$T_a = 25^{\circ}\text{C} \quad V_{DD} = 5.0 \pm 0.25 \text{ V}$$

<i>I T E M</i>	<i>SYMBOL</i>	<i>CONDITION</i>	<i>MIN.</i>	<i>TYP.</i>	<i>MAX.</i>	<i>UNIT</i>
INPUT VOLTAGE	V _{IH}	-----	2.2	-----	-----	V
	V _{IL}	-----	-----	-----	0.6	V
OUTPUT VOLTAGE	V _{OH}	-I _{OH} = 0.2 mA	2.4	-----	-----	V
	V _{OL}	I _{OH} = 1.2 mA	-----	-----	0.4	V
POWER SUPPLY CURRENT	I _{DD}	V _{DD} = 5.0 V	-----	1.5	2.0	mA
RECOMMENDED LCD DRIVING VOLTAGE	V _{DD} -V _O DUTY = 1/16	T _a = 0°C	-----	4.9	-----	V
		T _a = 25°C	-----	4.5	-----	V
		T _a = 50°C	-----	4.1	-----	V
POWER SUPPLY CURRENT FOR LED	I _{LED}	V _{LED} = 5.0V	-----	170	220	mA

NOTE (1): RECOMMENDED LCD DRIVING VOLTAGE MAY FLUCTUATE ABOUT $\pm 0.5\text{V}$ BY EACH MODULE.

7. Optical characteristics

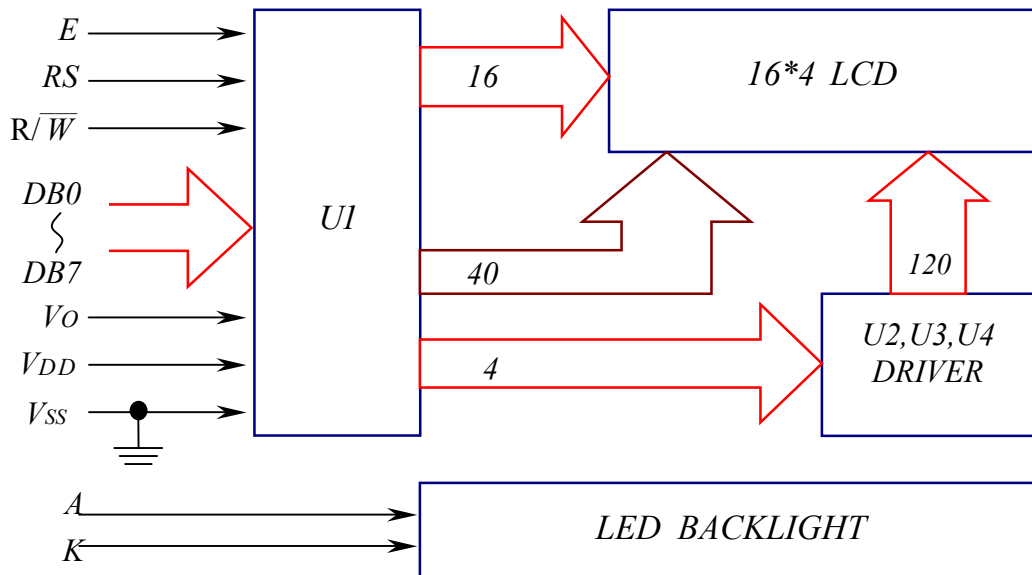
$$T_a = 25^{\circ}\text{C} \quad V_{DD} = 5.0\text{V}$$

<i>I T E M</i>	<i>SYMBOL</i>	<i>CONDITION</i>	<i>MIN.</i>	<i>TYP.</i>	<i>MAX.</i>	<i>UNIT</i>	<i>NOTE</i>
VIEWING ANGLE	$\Phi 2 - \Phi 1$	K = 2.0	30	40	-----	deg.	2
CONTRAST RATIO	K	$\Phi = 10^{\circ}$ $\theta = 0^{\circ}$	3.0	4.0	-----	-----	2
RESPONSE TIME	t _r (rise)	$\Phi = 10^{\circ}$ $\theta = 0^{\circ}$	-----	200	350	ms	2
	t _f (fall)	$\Phi = 10^{\circ}$ $\theta = 0^{\circ}$	-----	300	400	ms	2
BRIGHTNESS FOR LED BACKLIGHT	B	$\Phi = 0^{\circ}$ $\theta = 0^{\circ}$	5.0	-----	-----	cd/m ²	2,3

NOTE (2): SEE CUSTOMER ACCEPTANCE STANDARD SPECIFICATION FOR DEFINITION OF OPTICAL CHARACTERISTICS.

NOTE (3): UNDER NORMAL TEMPERATURE AND HUMIDITY IN A DARK ROOM.

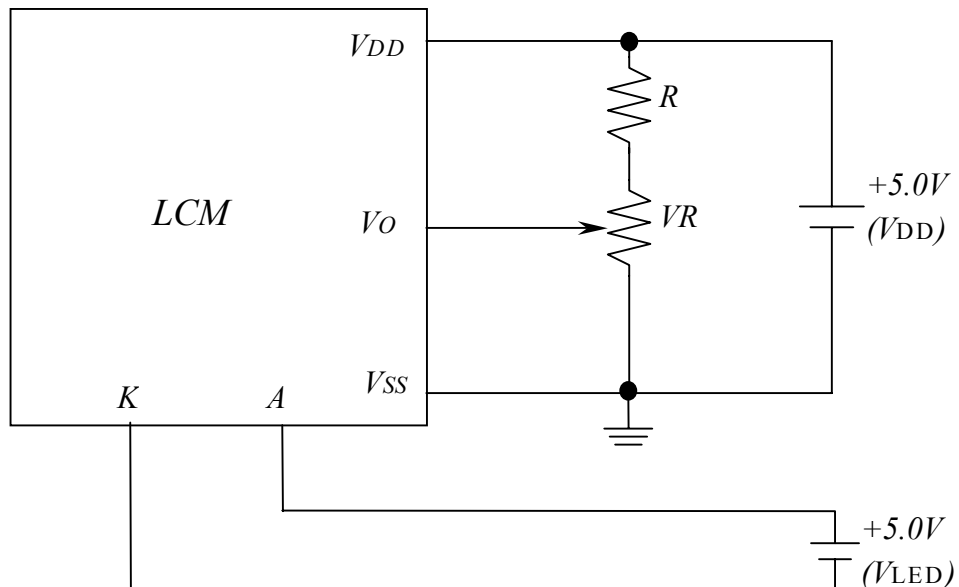
9 Block diagram



Display data address charts

Character	1	2	3	4	5	6	7	8	9	10	11	12	13	14	15	16
LINE 1	80	81	82	83	84	85	86	87	88	89	8A	8B	8C	8D	8E	8F
LINE 2	C0	C1	C2	C3	C4	C5	C6	C7	C8	C9	CA	CB	CC	CD	CE	CF
LINE 3	90	91	92	93	94	95	96	97	98	99	9A	9B	9C	9D	9E	9F
LINE 4	D0	D1	D2	D3	D4	D5	D6	D7	D8	D9	DA	DB	DC	DD	DE	DF

10. Power supply for LCM



RECOMMENDED RESISTOR R: $V_{DD} - V_o \geq 1.5V$

$V_{DD} - V_o$: LCD DRIVING VOLTAGE

VR: $10K\Omega \sim 20K\Omega$