

# NZ11 Series (4POS.-39POS)

ZIF FPC Connector, 0.5mm Pitch SMT Side Entry  
Upper Contact

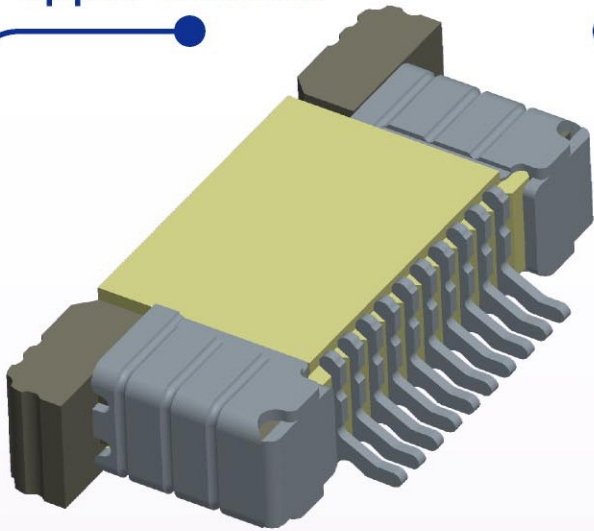
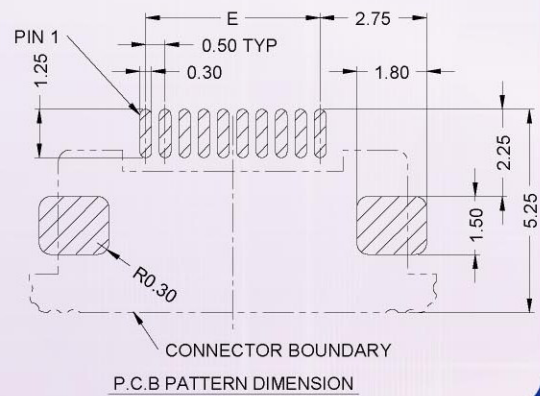
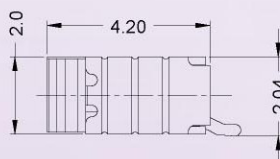
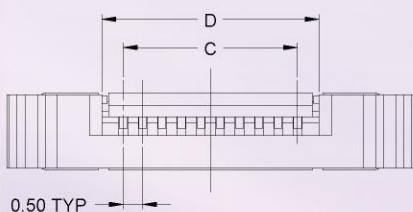
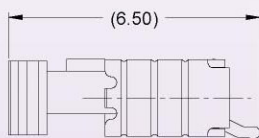
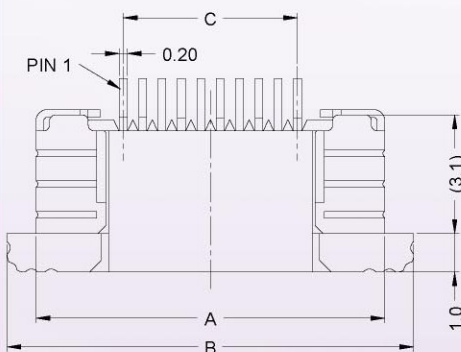


TABLE OF DIMENSION Unit : mm

POS.	DIMENSION				
	A	B	C	D	E
4	6.00	7.50	1.50	2.62	1.50
5	6.50	8.00	2.00	3.12	2.00
6	7.00	8.50	2.50	3.62	2.50
7	7.50	9.00	3.00	4.12	3.00
8	8.00	9.50	3.50	4.62	3.50
9	8.50	10.00	4.00	5.12	4.00
10	9.00	10.50	4.50	5.62	4.50
11	9.50	11.00	5.00	6.12	5.00
12	10.00	11.50	5.50	6.62	5.50
13	10.50	12.00	6.00	7.12	6.00
14	11.00	12.50	6.50	7.62	6.50
15	11.50	13.00	7.00	8.12	7.00
16	12.00	13.50	7.50	8.62	7.50
17	12.50	14.00	8.00	9.12	8.00
18	13.00	14.50	8.50	9.62	8.50
19	13.50	15.00	9.00	10.12	9.00
20	14.00	15.50	9.50	10.62	9.50
21	14.50	16.00	10.00	11.12	10.00
22	15.00	16.50	10.50	11.62	10.50
23	15.50	17.00	11.00	12.12	11.00
24	16.00	17.50	11.50	12.62	11.50
25	16.50	18.00	12.00	13.12	12.00
26	17.00	18.50	12.50	13.62	12.50
27	17.50	19.00	13.00	14.12	13.00
28	18.00	19.50	13.50	14.62	13.50
29	18.50	20.00	14.00	15.12	14.00
30	19.00	20.50	14.50	15.62	14.50
31	19.50	21.00	15.00	16.12	15.00
32	20.00	21.50	15.50	16.62	15.50
33	20.50	22.00	16.00	17.12	16.00
34	21.00	22.50	16.50	17.62	16.50
35	21.50	23.00	17.00	18.12	17.00
36	22.00	23.50	17.50	18.62	17.50
37	22.50	24.00	18.00	19.12	18.00
38	23.00	24.50	18.50	19.62	18.50
39	23.50	25.00	19.00	20.12	19.00



## Ordering Information

NZ11

Product Series

010

Number OF Contacts

4 TO 39

TX

Contact Plating

T0: Tin/Lead Plated  
TF: Lead Free Plated (under 90 ppm)

3

Packing Method

2: Tube  
3: Tape/Reel

