

EXAMINED BY: <i>Jony Chen</i>	EMERGING DISPLAY TECHNOLOGIES CORPORATION	FILE NO . CAS-10070
APPROVED BY: <i>David Chang</i>		ISSUE : JAN.28,2000
		TOTAL PAGE : 8
		VERSION : 2

CUSTOMER	ACCEPTANCE	SPECIFICATIONS
----------	------------	----------------

MODEL NO. :

32F40(CCFL TYPES)

FOR MESSRS :

CUSTOMER'S APPROVAL

DATE :

BY :

NUMBERING SYSTEM

Polarizer Mode	Backlight	Code value
Transflective	CCFL	D
Transmissive	CCFL	C

E W 32 F 40 B C W

LCD type + LCD color	Code Value
STN + Gray	G
STN + Blue	B
FSTN + White	F
FSTN + Black	N

TABLE OF CONTENTS

NO.	ITEM	PAGE
1.	GENERAL SPECIFICATIONS -----	1
2.	MECHANICAL SPECIFICATIONS -----	1
3.	ABSOLUTE MAXIMUM RATINGS -----	2
4.	ELECTRICAL CHARACTERISTICS -----	3
5.	OPTICAL CHARACTERISTICS -----	4
6.	OUTLINE DIMENSION -----	5
7.	BLOCK DIAGRAM -----	6
8.	DETAIL DRAWING OF DOT MATRIX -----	7
9.	INTERFACE SIGNALS -----	7~8
10.	POWER SUPPLY -----	8

1. GENERAL SPECIFICATIONS

1.1 GENERAL SPECIFICATIONS

PLEASE REFER TO :

CUSTOMER ACCEPTANCE STANDARD SPECIFICATIONS :

E U - 0 0 1 A

1.2 APPLICATION NOTES FOR CONTROLLER / DRIVER :

PLEASE REFER TO :

CUSTOMER ACCEPTANCE STANDARD SPECIFICATIONS :

E U - S E D 1 3 3 5

1.3 THIS INDIVIDUAL SPECIFICATION IS PRIOR TO GENERAL SPECIFICATIONS .

2. MECHANICAL SPECIFICATIONS

- (1) NUMBER OF DOTS ----- 320W * 240H DOTS
- (2) MODULE SIZE ----- 167.1W * 109.0H * 11.0D mm
- (3) EFFECTIVE AREA ----- 120.0W * 90.0H mm
- (4) ACTIVE AREA ----- 115.17W * 86.37H mm
- (5) DOT SIZE ----- 0.33W * 0.33H mm
- (6) DOT PITCH ----- 0.36W * 0.36H mm
- (7) LCD TYPE *
- (8) DRIVING METHOD ----- 1 / 240 DUTY MULTIPLEX DRIVE
- (9) BACKLIGHT ----- CCFL , COLOR : WHITE

* PLEASE REFER TO NUMBERING SYSTEM .

3. ABSOLUTE MAXIMUM RATINGS

3.1 ELECTRICAL ABSOLUTE MAXIMUM RATINGS .

PARAMETER	SYMBOL	MIN .	MAX .	UNIT	REMARK
POWER SUPPLY FOR LOGIC	VDD - VSS	0	7.0	V	
POWER SUPPLY FOR LCD DRIVING	VDD - VEE	0	30.0	V	
INPUT VOLTAGE	VI	VSS	VDD	V	
STATIC ELECTRICITY	—	—	100	V	NOTE (1)

NOTE (1) : TEST METHOD AND CONDITIONS :
AFTER CHARGING UP 200 PF CAPACITOR BY STATED VOLTAGE ,
THE CAPACITOR IS CONNECTED WITH INTERFACE PINS OF THE
MODULE .

3.2 ENVIRONMENTAL ABSOLUTE MAXIMUM RATINGS .

I T E M	OPERATING		STORAGE		REMARK
	MIN .	MAX .	MIN .	MAX .	
AMBIENT TEMPERATURE	-10 °C	60 °C	-20 °C	70 °C	NOTE (2) , (3)
HUMIDITY	—	85 % RH	—	85 % RH	WITHOUT CONDENSATION
VIBRATION	—	2.45 m/s ² (0.25 G)	—	11.76 m/s ² (1.2 G)	10~100 HZ XYZ DIRECTIONS 1 Hr. EACH
SHOCK	—	29.4 m/s ² (3 G)	—	490.0 m/s ² (50 G)	10 mSECONDS XYZ DIRECTIONS 1 TIME EACH
CORROSIVE GAS	NOT ACCEPTABLE		NOT ACCEPTABLE		

NOTE (2) : Ta AT -20°C : 48HR MAX .
70°C : 168HR MAX .

NOTE (3) : BACKGROUND COLOR CHANGES SLIGHTLY DEPENDING ON AMBIENT
TEMPERATURE THIS PHENOMENON IS REVERSIBLE .

NOTE (4) : CCFL BACKLIGHT IS NOT AVAILABCE TO FUNCTION BELOW 0°C

4. ELECTRICAL CHARACTERISTICS

Ta = 25 °C

VDD-VSS = 5.0 V

VEE-VSS = -22.0

PARAMETER	SYMBOL	CONDITION	MIN.	TYP.	MAX.	UNIT
POWER SUPPLY VOLTAGE FOR LOGIC	VDD - VSS	—	4.5	5.0	5.5	V
POWER SUPPLY VOLTAGE FOR LCD DRIVE	VEE - VSS	—	-21.5	-22.0	-22.5	V
INPUT VOLTAGE NOTE (1)	VIH	H LEVEL	0.5*VDD	—	—	V
	VIL	L LEVEL	—	—	0.2*VDD	V
OUTPUT VOLTAGE NOTE (1)	VOH	H LEVEL	2.4	—	—	V
	VOL	L LEVEL	—	—	VSS+0.4	V
POWER SUPPLY CURRENT FOR LOGIC NOTE (2)	IDD	VDD - VSS = 5.0 V VDD - VEE = 22.0 V	—	40.0	—	mA
POWER SUPPLY CURRENT FOR LCD DRIVE NOTE (2)	IEE	VDD - VSS = 5.0 V VDD - VEE = 22.0 V	—	2.5	—	mA
RECOMMENDED LCD DRIVING VOLTAGE NOTE (3)	VDD - VO ∅ = 10° θ = 0° DUTY = 1/240	Ta = -10 °C	—	26.0	—	V
		Ta = 25 °C	—	23.0	—	V
		Ta = 60 °C	—	20.0	—	V
CLOCK OSCILLATION FREQUENCY	f OSC	—	—	8	—	MHZ
POWER SUPPLY FOR CCFL	VOLTAGE	VCCFL	—	300	—	Vrms
	FREQUENCY	f CCFL	—	30K	—	HZ
	CURRENT	IL	—	5	—	mA

NOTE (1): APPLIED TO TERMINALS D0 TO D7, A0, \overline{CS} , \overline{RD} , \overline{WR} .

NOTE (2): THE DISPLAY PATTERN IS ALL "OFF"/"ON".

NOTE (3): RECOMMENDED LCD DRIVING VOLTAGE MAY FLUCTUATE ABOUT ± 1.0V BY EACH MODULE.

5. OPTICAL CHARACTERISTICS

Ta = 25 °C

VDD = 5.0 V

VDD-V0 = (22.5V)

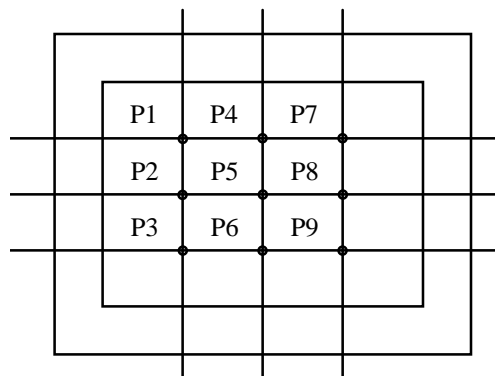
I T E M		SYMBOL	CONDITION	MIN.	TYP.	MAX.	UNIT	NOTE
VIEWING AREA	STN	∅ 2 - ∅ 1	K ≥ 2.0	—	40	—	deg.	1
	FSTN			—	50	—	deg.	1
CONTRAST RATIO	STN	K	∅ = 10° θ = 0°	—	10	—	—	1
	FSTN			—	20	—	—	1
RESPONSE TIME	tr (rise)	∅ = 10° θ = 0°	Ta = -10 °C	—	2149	—	ms	1
			Ta = 25 °C	—	228	—		
			Ta = 60 °C	—	124	—		
	tf (fall)		Ta = -10 °C	—	1709	—		
			Ta = 25 °C	—	191	—		
			Ta = 60 °C	—	96	—		
BRIGHTNESS OF BACKLIGHT	B	—	300	—	—	cd / m ²	2, 3	
RISE TIME OF BACKLIGHT	TC	—	—	5	—	MINUTE		
BRIGHTNESS UNIFORMITY	—	—	—	—	—	20	%	4, 5

NOTE (1) : PLEASE REFER TO :
CUSTOMER ACCEPTANCE STANDARD SPECIFICATIONS. (EU - 001A)

NOTE (2) : MEASUREMENT AFTER 10 MINUTES OF CCFL OPERATING .

NOTE (3) : BRIGHTNESS CONTROL : 100% AND DISPLAY ALL ON .

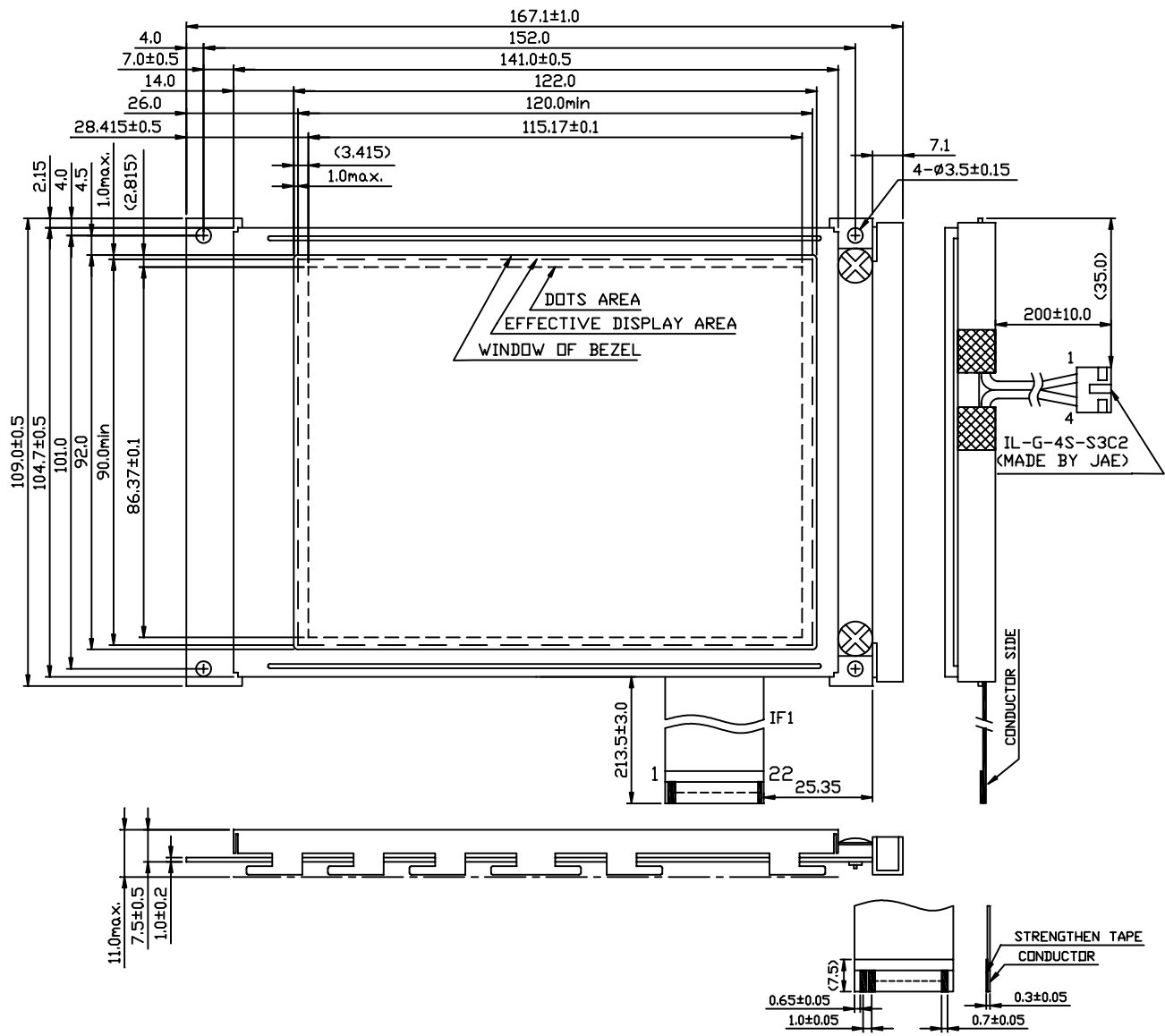
NOTE (4) : MEASUREMENT OF THE FOLLOWING 9 PLACES ON THE DISPLAY.
DEFINITION OF THE BRIGHTNESS TOLERANCE .



NOTE (5) : BRIGHTNESS UNIFORMITY IS DEFINED AS FOLLOWING

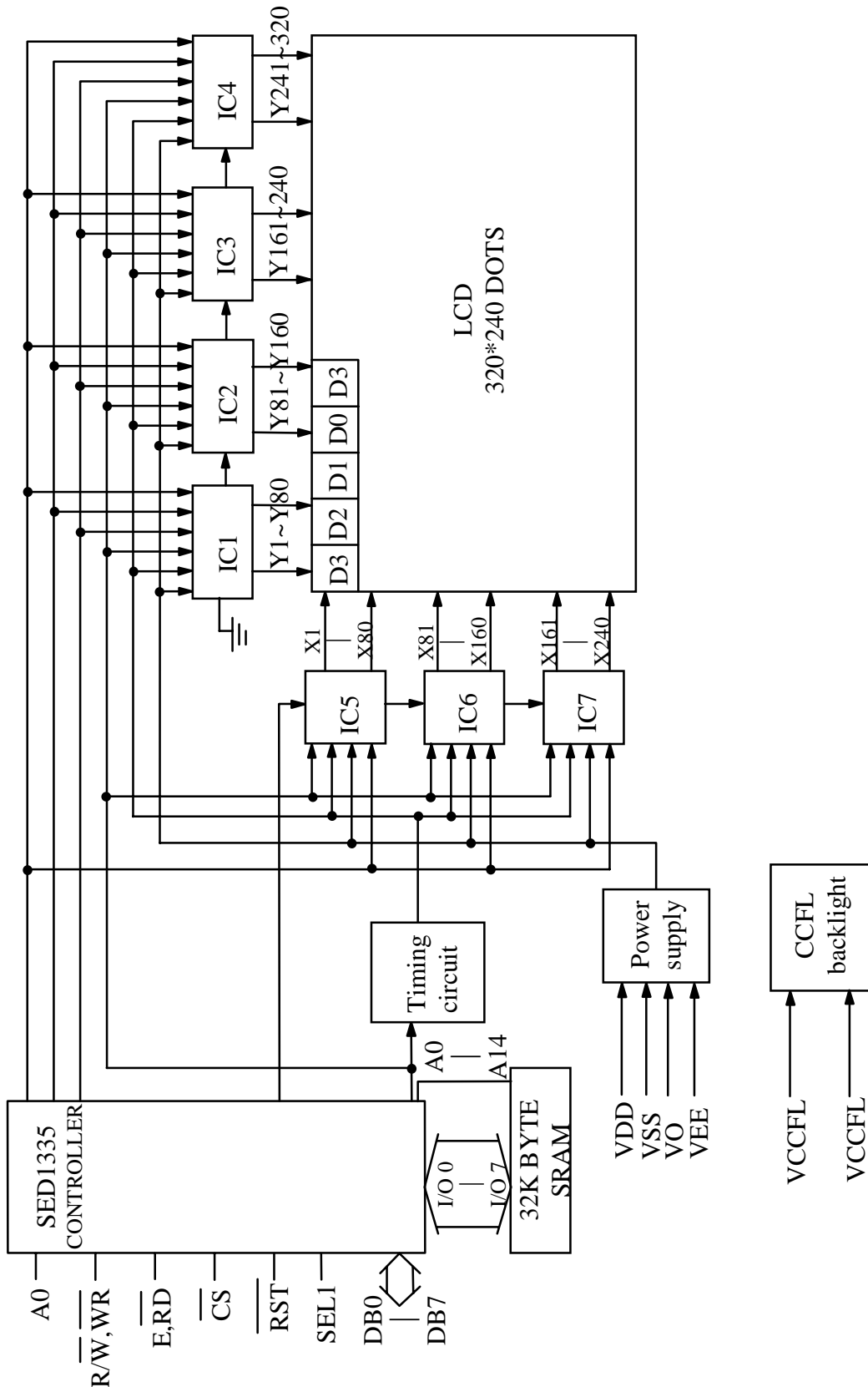
$$\Sigma X = \left[\frac{(\text{MAXIMUN BRIGHTNESS OR MINIMUN BRIGHTNESS}) - \text{AVERAGE BRIGHTNESS}}{\text{AVERAGE BRIGHTNESS}} \right] \times 100\%$$

6. OUTLINE DIMENSION

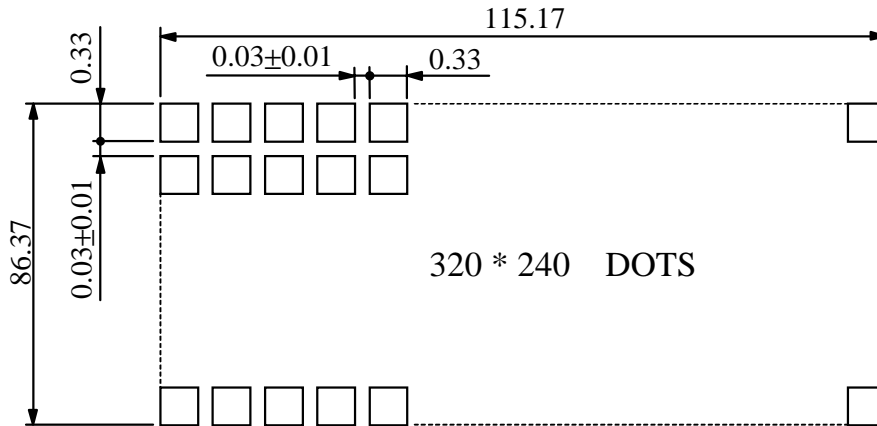


UNIT : mm
SCALE : NTS
NOT SPECIFIED TOLERANCE IS ± 0.5

7. BLOCK DIAGRAM



8. DETAIL DRAWING OF DOT MATRIX



UNIT : mm
SCALE : NTS
NOT SPECIFIED TOLERANCE IS ± 0.1

9. INTERFACE SIGNALS

IF1 :

PIN NO	SYMBOL	LEVEL	FUNCTION																				
1	VSS	—	GROUND																				
2	VDD	—	POWER SUPPLY FOR LOGIC CIRCUIT																				
3	VO	—	OPERATING VOLTAGE FOR LCD DRIVING																				
4	A0	—	8080 FAMILY INTERFACE																				
			<table border="1"> <thead> <tr> <th>AO</th> <th>RD</th> <th>WR</th> <th>FUNCTION</th> </tr> </thead> <tbody> <tr> <td>0</td> <td>0</td> <td>1</td> <td>STATUS FLAG READ</td> </tr> <tr> <td>1</td> <td>0</td> <td>1</td> <td>DISPLAY DATA AND CURSOR ADDRESS READ</td> </tr> <tr> <td>0</td> <td>1</td> <td>0</td> <td>DISPLAY DATA AND PARAMETER WRITE</td> </tr> <tr> <td>1</td> <td>1</td> <td>0</td> <td>COMMAND WRITE</td> </tr> </tbody> </table>	AO	RD	WR	FUNCTION	0	0	1	STATUS FLAG READ	1	0	1	DISPLAY DATA AND CURSOR ADDRESS READ	0	1	0	DISPLAY DATA AND PARAMETER WRITE	1	1	0	COMMAND WRITE
			AO	RD	WR	FUNCTION																	
			0	0	1	STATUS FLAG READ																	
			1	0	1	DISPLAY DATA AND CURSOR ADDRESS READ																	
			0	1	0	DISPLAY DATA AND PARAMETER WRITE																	
			1	1	0	COMMAND WRITE																	
			6800 FAMILY INTERFACE																				
			<table border="1"> <thead> <tr> <th>AO</th> <th>R/W</th> <th>E</th> <th>FUNCTION</th> </tr> </thead> <tbody> <tr> <td>0</td> <td>1</td> <td>1</td> <td>STATUS FLAG READ</td> </tr> <tr> <td>1</td> <td>1</td> <td>1</td> <td>DISPLAY DATA AND CURSOR ADDRESS READ</td> </tr> <tr> <td>0</td> <td>0</td> <td>1</td> <td>DISPLAY DATA AND PARAMETER WRITE</td> </tr> <tr> <td>1</td> <td>0</td> <td>1</td> <td>COMMAND WRITE</td> </tr> </tbody> </table>	AO	R/W	E	FUNCTION	0	1	1	STATUS FLAG READ	1	1	1	DISPLAY DATA AND CURSOR ADDRESS READ	0	0	1	DISPLAY DATA AND PARAMETER WRITE	1	0	1	COMMAND WRITE
			AO	R/W	E	FUNCTION																	
0	1	1	STATUS FLAG READ																				
1	1	1	DISPLAY DATA AND CURSOR ADDRESS READ																				
0	0	1	DISPLAY DATA AND PARAMETER WRITE																				
1	0	1	COMMAND WRITE																				
5	$\overline{\text{WR,R/W}}$	H/L	8080 FAMILY INTERFACE ACTS AS THE ACTIVE-LOW WRITE STROBE . 6800 FAMILY INTERFACE ACTS AS THE READ/ WRITE CONTROL SIGNAL .																				
6	$\overline{\text{RD,E}}$	H/L	8080 FAMILY INTERFACE ACTS AS THE ACTIVE-LOW READ STROBE . 6800 FAMILY INTERFACE ACTS AS THE ACTIVE-HIGH ENABLE CLOCK .																				
7 } 14	D0 } D7	H/L	DISPLAY DATA																				
15	$\overline{\text{CS}}$	H/L	CHIP SELECT																				
16	$\overline{\text{RST}}$	H/L	RESET																				
17	VEE	—	POWER SUPPLY FOR LCD DRIVING																				
18	SEL1	H/L	8080 OR 6800 FAMILY INTERFACE SELECT , H:6800 , L:8080																				
19 } 22	NC	—	NOT USE																				

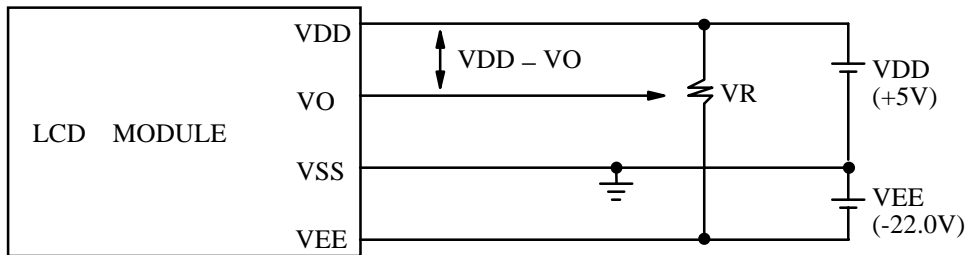
9. INTERFACE SIGNALS

IF2 :

INTERFACE	PIN	SIGNAL	LEVEL	FUNCTION
CCFL	1	VCCFL	—	POWER SUPPLY FOR CCFL DRIVING
	2~3	NC	—	NO CONNECTION
	4	VCCFL	—	POWER SUPPLY FOR CCFL DRIVING

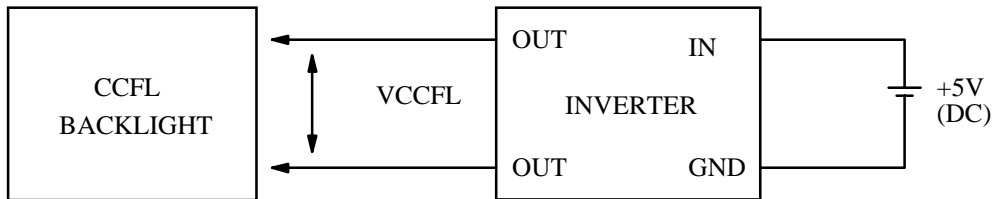
10. POWER SUPPLY

10.1 POWER SUPPLY FOR LCM



VDD - VO : LCD DRIVING VOLTAGE
VR: 20KΩ

10.2 POWER SUPPLY FOR CCFL BACK - LIGHT



RECOMMENDED INVERTER : IA-EM02A

10.3 TIMING OF POWER SUPPLY AND INTERFACE SIGNAL

