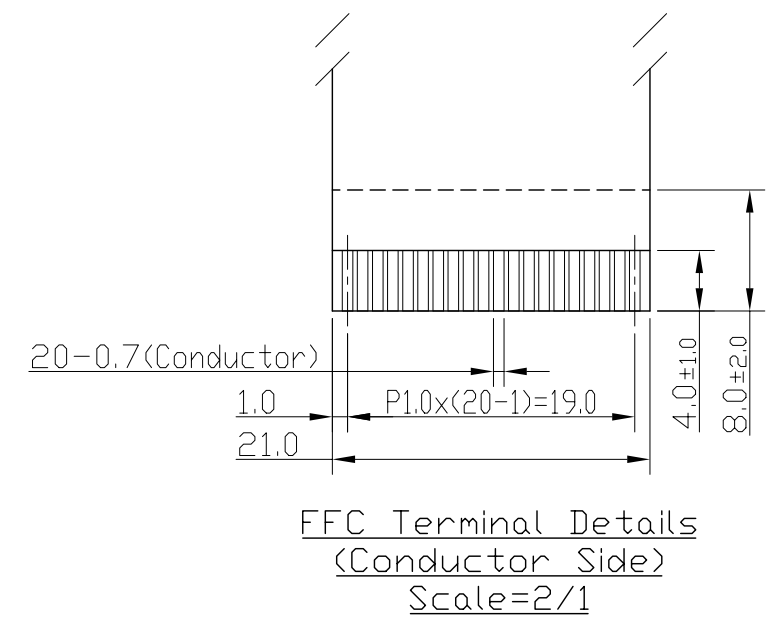
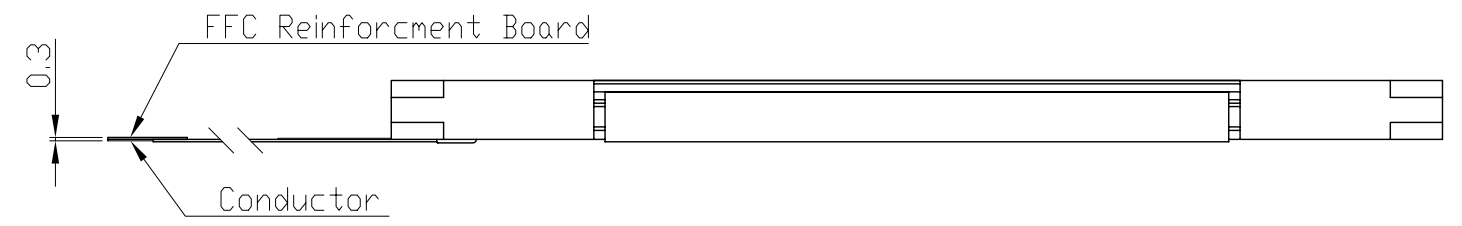


Terminal	
No.	Pin Name
1	VOUT
2	V0
3	VDD
4	VSS
5	NC
6	NC
7	/CS
8	A0
9	/WR
10	/RD
11	DB0
12	DB1
13	DB2
14	DB3
15	DB4
16	DB5
17	DB6
18	DB7
19	/RES
20	BLA

(*9)



- Note:
- *1. LCD Display Type : STN, Negative, Transmissive
 - *2. Viewing Direction : 6H
 - *3. Duty : 1/128
 - *4. Operating Voltage : 5.0V
 - *5. Backlight Color : White
 - *6. Built in LCD Controller : S1D13305(or equivalent)
 - *7. Operating Temperature : -20°C ~ 70°C
 - *8. Storage Temperature : -30°C ~ 80°C
 - *9. An external VR(25k~50k) must be connected for Contrast Control

C		
B		
A	-Typing Correction	Li Shuai 2006-03-31
Rev	Note	Date
Dwg	Title	LM1095S-1 Outline Dwg
Dwg No.	MK-001131a-1-1	Date 2005-12-21
Scale	3/2	Tol. ±0.5
Unit	mm	Paper Size A3
Approved	Checked	Drawn Li Shuai

TOPWAY