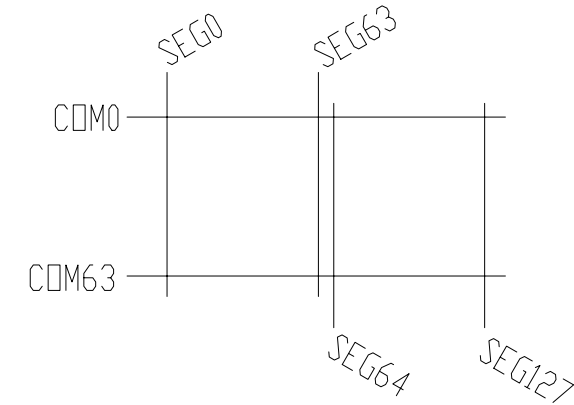
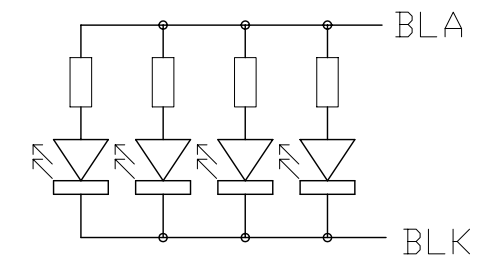


Pixels Details
Scale=20/1



Wiring Details
Scale=free



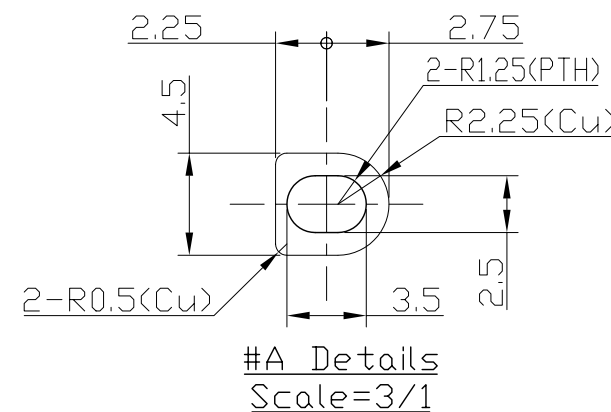
Backlight Circuit
(No. of LEDs = 4pcs)
Scale=free

Terminal CN1	
No.	Pin Name
1	VSS
2	VDD
3	V0
4	RS
5	R/W
6	E
7	DB0
8	DB1
9	DB2
10	DB3
11	DB4
12	DB5
13	DB6
14	DB7
15	CS1
16	CS2
17	/RST
18	VOUT
19	BLA
20	BLK

(*1)

Note:

- *1. A VR(25k to 50k) must be connected externaly for Contrast Control. Otherwise, external LCD contrast reference should be given to V0.
- *2. LCD Display Type : STN, Negative, Transmissive Δ
- *3. Viewing Direction : 6H
- *4. Operating Voltagte : 5V
- *5. Backlight Color : White
- *6. Operating Temperature : -20°C ~ 70°C
- *7. Storage Temperature : -30°C ~ 80°C



C		
B		
A	-Revise Dimension -Revise LCD Display Type	Li Shuai 2005-04-15
Rev/Note		Date
Dwg Title	LM12864LFC Outline Dwg	
Dwg No.	MK-000216a-1-1	Date 12-Aug-03
Scale	3/2	Tol. ±0.5
Unit	mm	Paper Size A3
Approved	Checked	Drawn Li Shuai

TOPWAY