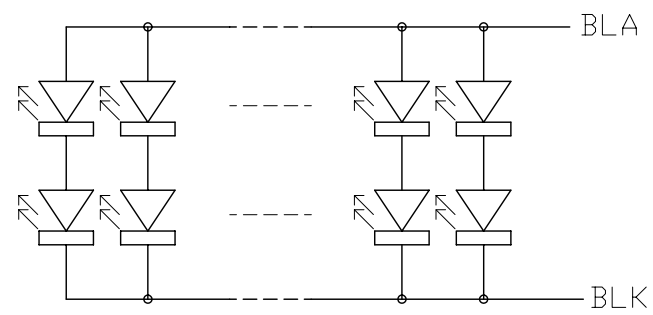


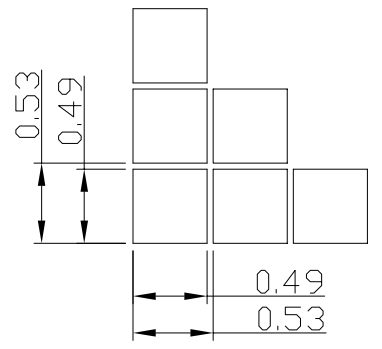


Terminal(K1)	
No.	Pin Name
1	FG
2	VSS
3	VDD
4	V0
5	/WR
6	/RD
7	/CE
8	C/D
9	NC
10	/RST
11	DB0
12	DB1
13	DB2
14	DB3
15	DB4
16	DB5
17	DB6
18	DB7
19	FS1
20	VOUT
21	BLA
22	BLK

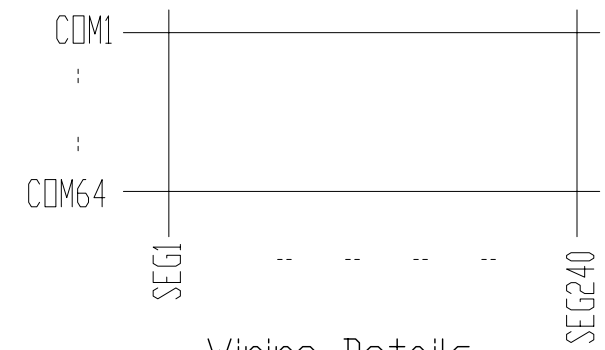
(\*10)



Backlight Circuit Details  
(No. of LEDs = 2x63pcs)  
Scale=free



Pixels Details  
Scale=20/1



Wiring Details  
Scale=free

- Note:
- \*1. LCD Display Type : STN-YG, Positive, Transflective
  - \*2. Viewing Direction : 6H
  - \*3. Duty : 1/64
  - \*4. Operating Voltage : 5.0V
  - \*5. Backlight Color : Yellow Green
  - \*6. Backlight Supply : 630mA(4.2V TYP.)
  - \*7. Built in LCD Controller : T6963 or equivalent
  - \*8. Operating Temperature : -20°C ~ 70°C
  - \*9. Storage Temperature : -30°C ~ 80°C
  - \*10. An external VR(25k~50k) must be connected for Contrast Control

C		
B		
A	Add Note	K.C. 2007-09-25
Rev/Note		Date
Dwg Title LM24064DBC Outline Dwg		
Dwg No. MK-000733a-1-1		Date 2005-01-07
Scale 7/5	Tol. ±0.5	Unit mm Paper Size A3
Approved	Checked	Drawn Li Shuai

**TOPWAY**