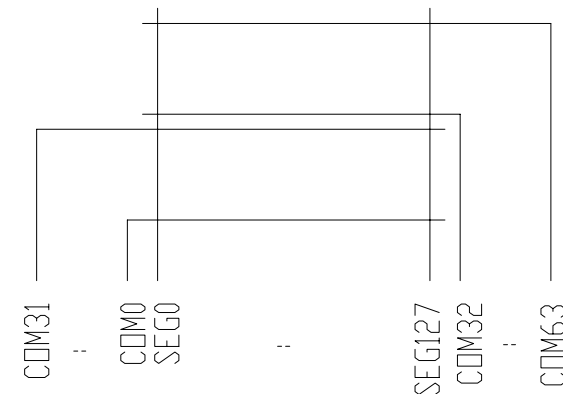
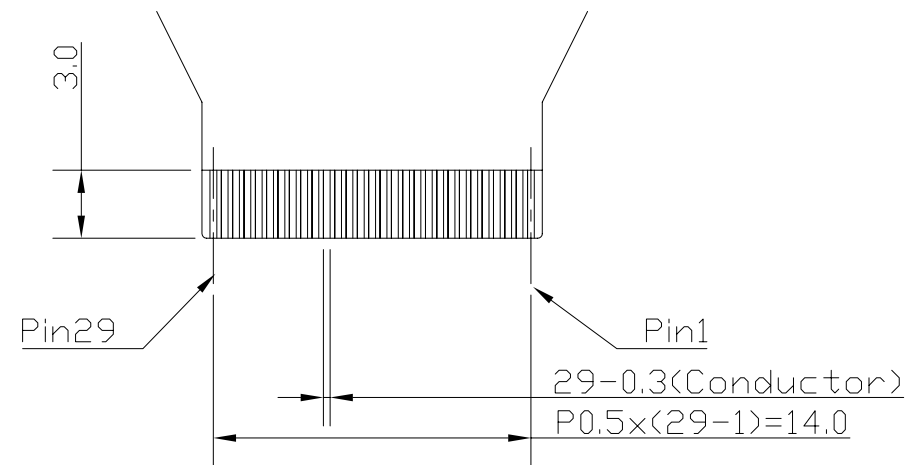


Pixels Details  
Scale=20/1



Wiring Details  
Scale=free

Terminal No.	Pin Name
1	NC
2	NC
3	V0
4	V1
5	V2
6	V3
7	V4
8	CAP2-
9	CAP2+
10	CAP1+
11	CAP1-
12	CAP3+
13	VOUT
14	VSS
15	VDD
16	DB7
17	DB6
18	DB5
19	DB4
20	DB3
21	DB2
22	DB1
23	DB0
24	/RD
25	/WR
26	RS
27	/RES
28	/CS1
29	NC



Terminals Details  
(Conductor Side)  
Scale=3/1

- Note:
- \*1. Display Type : FSTN, Positive, Transflective
  - \*2. Viewing Direction: 6H
  - \*3. Duty : 1/65, Bias : 1/9bais, Vop : 9.5V
  - \*4. Operating Voltage : 3.0V
  - \*5. Operating Temperature : 20°C~70°C
  - \*6. Storage Temperature : -30°C~80°C
  - \*7. Driver Controller : ST7565R or equivalent
  - \*8. Polarizer Type : Anti-UV Polarizer

C		
B		
A		
Rev	Note	Date
Dwg Title LM6029ACA Outline Dwg		
Dwg No.	MK-002854-1-1	Date 2009-04-29
Scale 2/1	Tol. ±0.5	Unit mm Paper Size A3
Approved	Checked	Drawn Zhou Huifang

**TOPWAY**