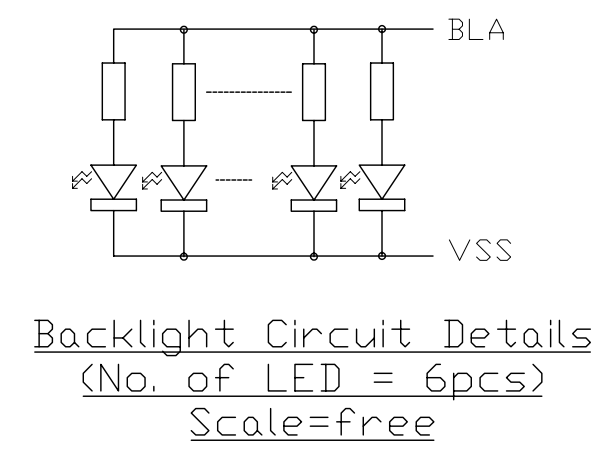
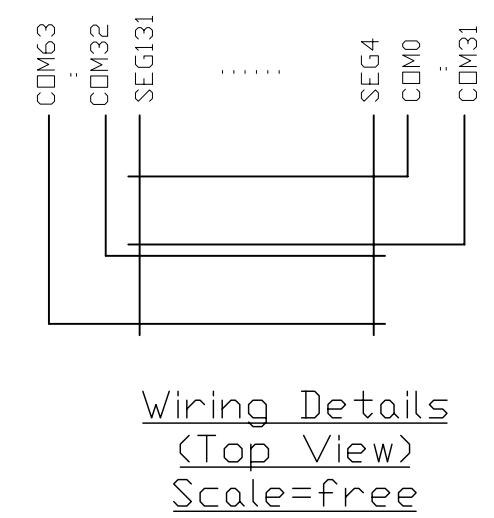


- Note:
- \*1. Display Type : STN, Negative, Transmissive
  - \*2. Viewing Direction : 6H
  - \*3. Duty : 1/65, Bias : 1/9
  - \*4. Operating Voltage : 3.3V
  - \*5. Backlight Color : White
  - \*6. Backlight Supply : 100mA (3.3V TYP.)
  - \*7. Operating Temperature : -20°C~70°C
  - \*8. Storage Temperature : -30°C~80°C
  - \*9. Driver/Controler : ST7565R



D	Refine Outline	Linyan 2007-07-13
C	Revise Design	K.C. 2007-06-23
B	Revise Design	K.C. 2007-06-22
A	Revise Design	K.C. 2007-06-19
Rev/Note		Date
Dwg Title		LM6063AFW Outline Drawing
Dwg No.		MK-001834d-1-1
		Date 2007-06-18
Scale	Tol.	Unit
2/1	±0.5	mm
Paper Size		A3
Approved	Checked	Drawn
		K.C.

**TOPWAY**