



IEC Connector IEC60320 Sheet F

0708-1 Series

Power Rating : 10A 250V AC

Insulation Resistance : over 100MΩ 500V DC

Withstanding Voltage : 2,000V AC One Minute

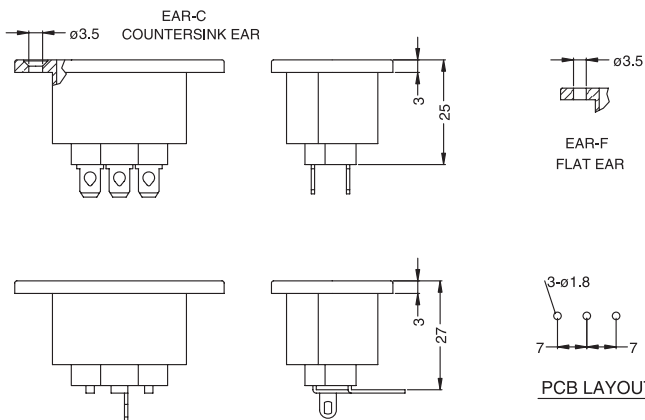
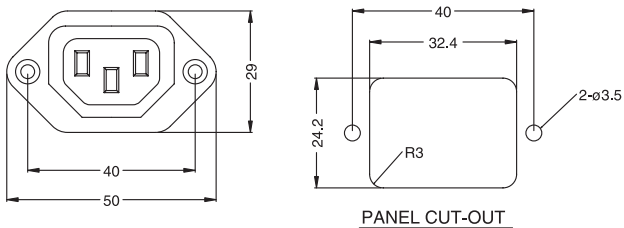
Operating Rating Temperature : -25°C to +85°C

Main Unit Material : Thermoplastic UL Flammability
94V-0 & Copper Alloy



Power Outlet

Unit:mm



ORDER NO.	CODE	TERMINAL OPTION
0708-1-CNF 0708-1-FNF	N	4.0mm/SOLDER TAB
0708-1-CQF 0708-1-FQF	Q	4.8mm/.187" Q.D./SOLDER TAB
0708-1-CWF 0708-1-FWF	W	6.3mm/.250" FAST-ON TAB
0708-1-CPF 0708-1-PPF	P	FOR PCB. MOUNTING

C : EAR-C F : EAR-F

