



IEC Connector EN60320 C14

0711 Series

Unique Features:

Ensure Free of

- Discontinuity
- Arcing
- Short Circuit on Rear Plane
- Hi-Pot Breaking

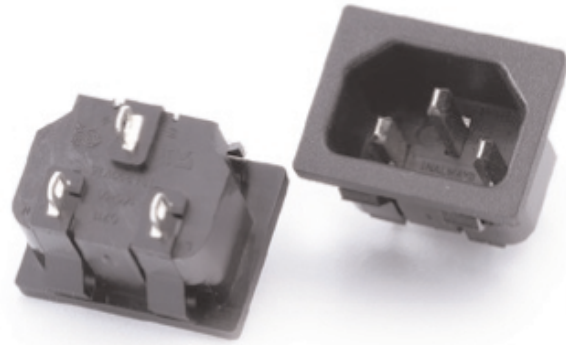
Power Rating : 10A 250V AC European, 15A 250V AC UL & CSA

Insulation Resistance : over 100MΩ 500V DC

Withstanding Voltage : 2,000V AC One Minute

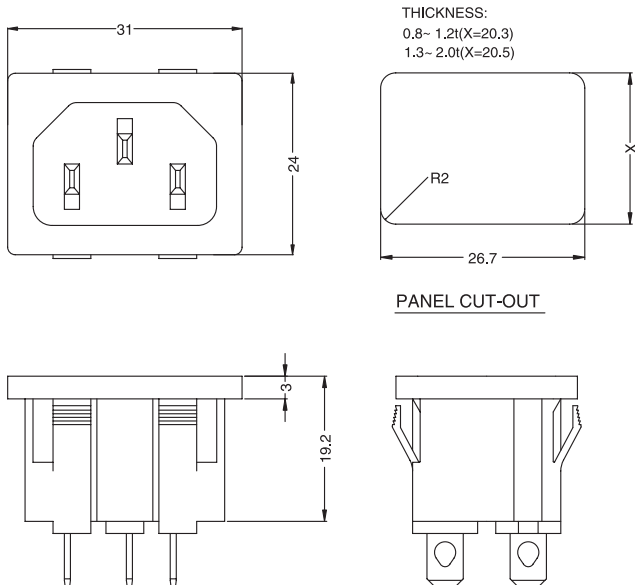
Operating Rating Temperature : -25°C to +85°C

Main Unit Material : Thermoplastic UL Flammability 94V-0 & Copper Alloy



Power Inlet

Unit:mm



ORDER NO.	CODE	TERMINAL OPTION
0711-PS	S	2.5mm/SOLDER TAB
0711-PN	N	4.0mm/SOLDER TAB
0711-PQ , 0711-PQA	Q	4.8mm/.187" Q.D./SOLDER TAB
0711-PW	W	6.3mm/.250" FAST-ON TAB
0711-PW1	W	6.3mm/.250" FAST-ON TAB

