



**IEC Connector EN60320 C14
with 5 x 20mm Fuseholder
and Rocker Switch**

0717-1S Series

Power Rating : 10A 250V AC

Insulation Resistance : over 100MΩ 500V DC

Withstanding Voltage : 2,000V AC One Minute

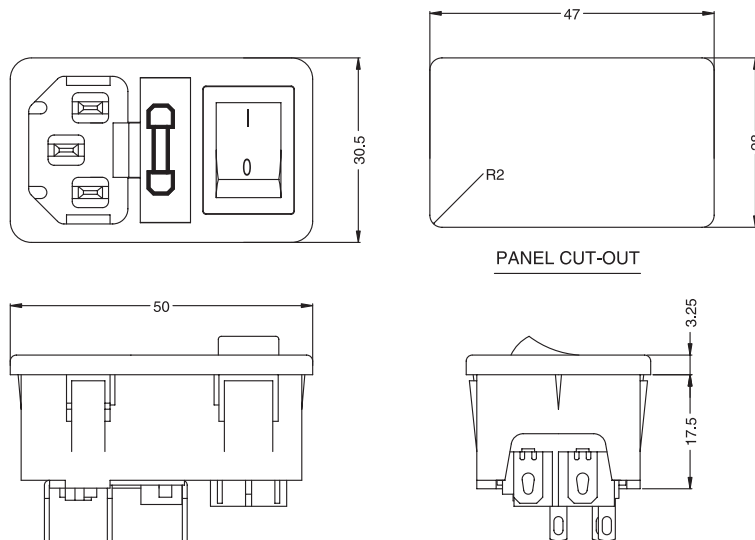
Operating Rating Temperature : -25°C to +85°C

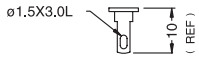
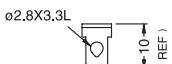
Main Unit Material : Thermoplastic UL Flammability
94V-0 & Copper Alloy



Module

Unit:mm



ORDER NO.	PANEL THICKNESS	CODE	TERMINAL OPTION
0717-1S-PLS08	0.8	LS	2.8mm/SOLDER TAB 
0717-1S-PLS10	1.0		
0717-1S-PLS12	1.2		
0717-1S-PLS14	1.4		
0717-1S-PQ08	0.8	Q	4.8mm/.187" Q.D./SOLDER TAB 
0717-1S-PQ10	1.0		
0717-1S-PQ12	1.2		
0717-1S-PQ14	1.4		

