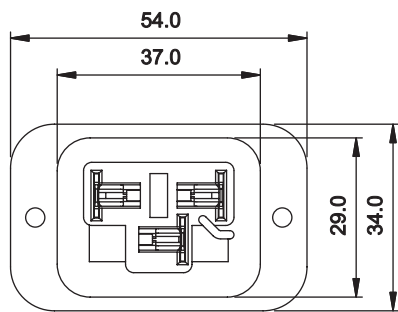
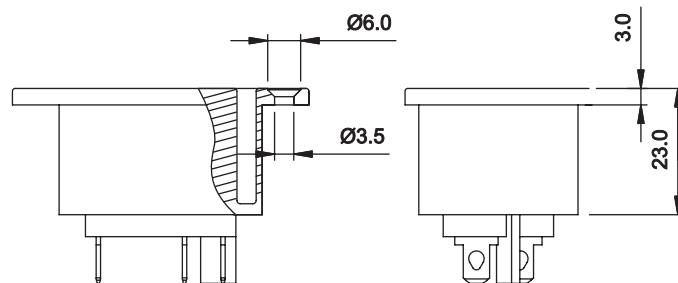
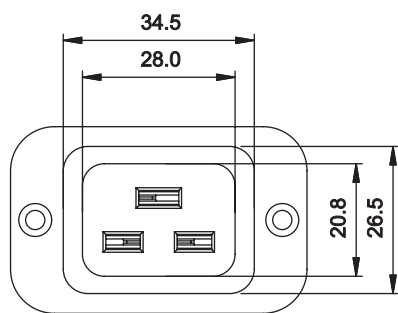


### Specifications :

Power Rating : 16A 250V AC European  
20A 250V AC UL & CSA  
Insulation Resistance : Over 100MΩ 500V DC  
Withstanding Voltage : 2,000V AC One Minute  
Operating Rating Temperature : -25 °C to +85 °C  
Body Material : Thermoplastic UL Fammability  
94V-0 & Copper Alloy

Unit : mm



P/N	Terminal Option
0723-CW	 (10.0) Ø1.7 6.3X0.8t
0723-CQ	 (10.0) Ø2.8X3.3L 4.8X0.8t

### Recommended Panel Cutout

