
SPECIFICATION

**DC/AC INVERTER
FOR CCFL LAMP**

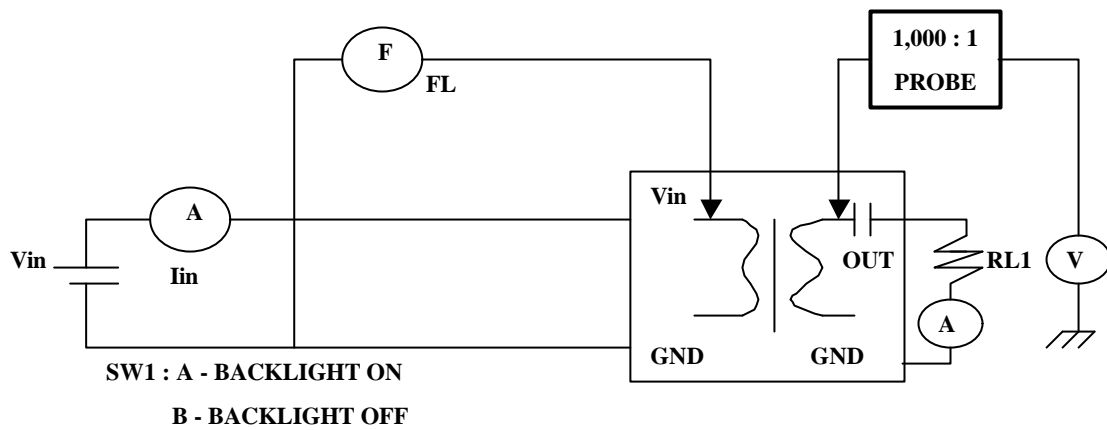
1. Maximum Rating.

Desc.	Symbol	Spec	Unit
Input voltage	Vin	4.5-5.5	V
Operating temperature range	Top	0 – 45	°C
Storage temperature range	Tstg	-20 – 75	°C
Operating humidity range		RH90	%

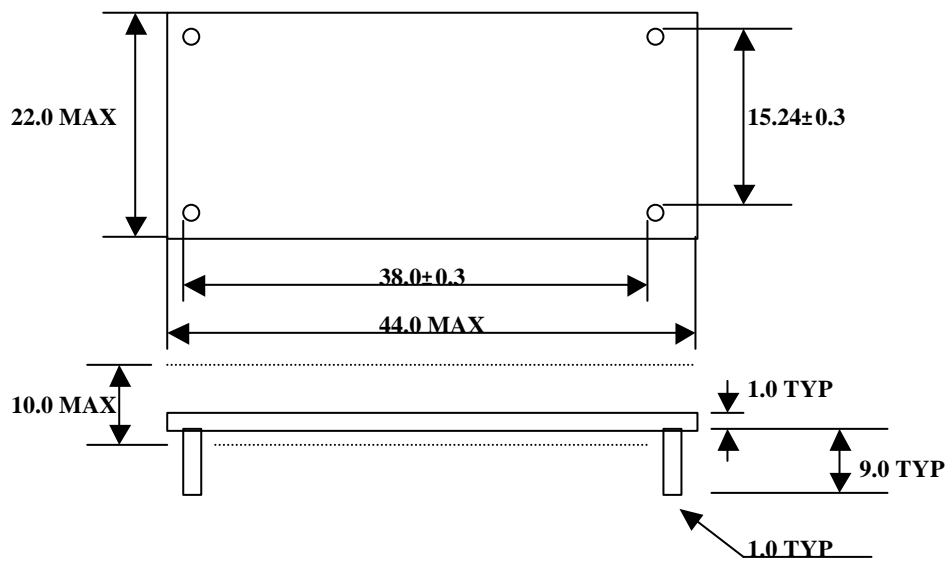
2. Electrical characteristics.

Desc.	Symbol	Condition		Specification			Unit
		Vin(V) (DC-In)	RL1 (K Ω)	Min	Typ	Max	
Output current	Io	5.0 \pm 10%	62 \pm 0.5	4.0	5.0	6.0	m Arms
Input current	Iin	5.0	62 \pm 0.5	-	400	450	m ADC
Frequency	FL	5.0	62 \pm 0.5	30	40	50	KHz
Open out voltage	Vo	5.0	∞	850	-	1300	Vrms

3. Test circuit



4. Dimension(unit : mm) - ± 0.2



5. Material Part List

**Trans - Ferrite Core
- Bobbin**

Insulating Tape

Coil(U.E.W)

PCB

Drum Core(68uH)

Tube

Ceramic Capacitor

Capacitor

Pin

Transistor

Resistor

Pb

Nippon Ceramic(Japan)

B&B(Taiwan)

DuckSung

DongYang/LG

WonKyung

SamWha

LG

Murata(Japan)/DaeMyung

Phillips/Matushita

Ilsan Metal

SamSung/Toshiba/Rohm/Sanyo

ShinHan Elec.

Tarutin(Japan)