

# BL12864H

## Feature

1. OLED display 128x64 dots
2. Built-in Controller SSD 1303
3. +3.3V power supply
4. 1/64 duty
5. TAB with metal frame SMT with metal frame.

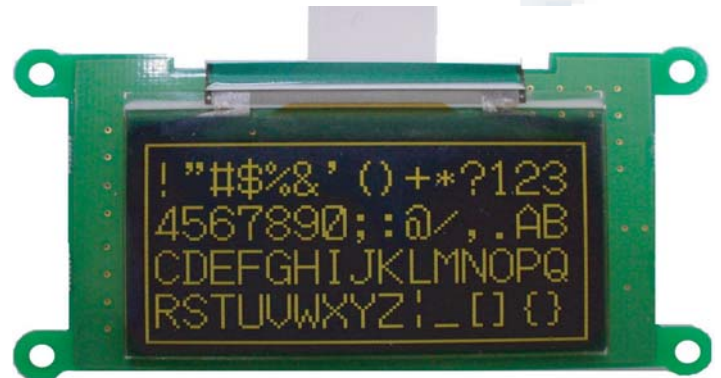
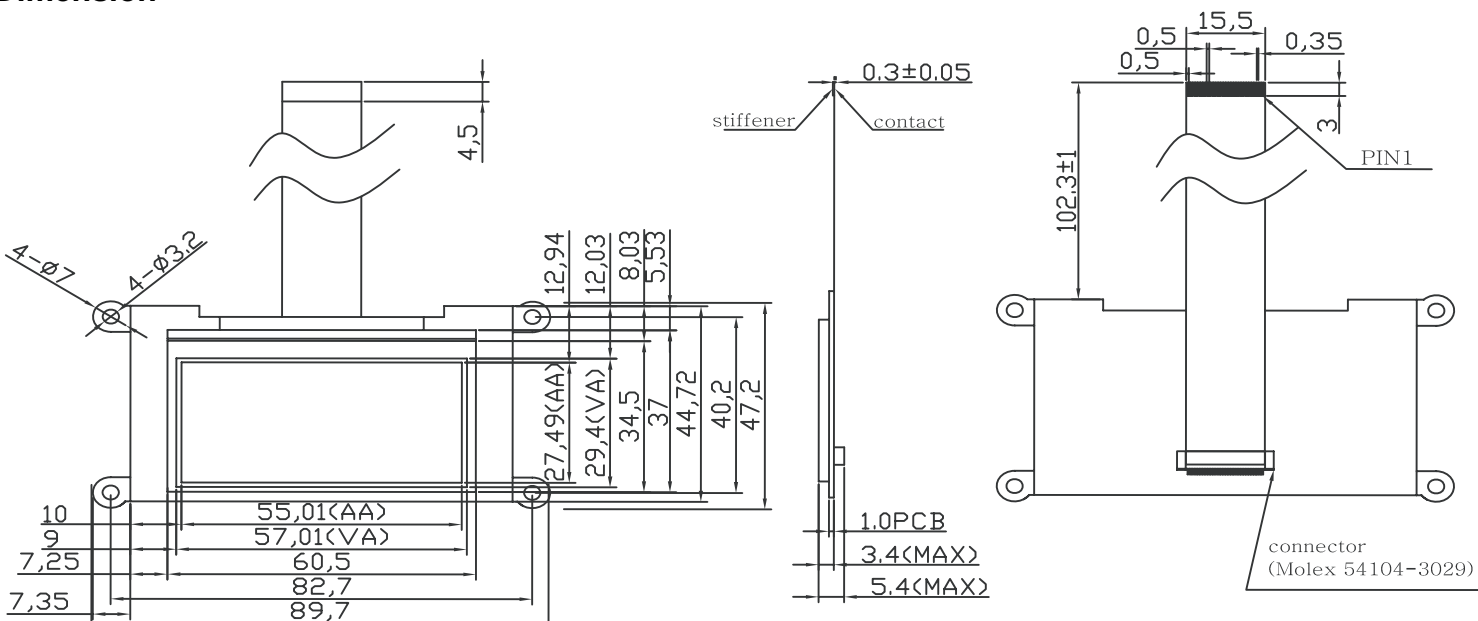
## Mechanical Data

Item	Standard Value	Unit
Module Dimension	89.7x 47.2	mm
Viewing Area	57.01 x 29.4	mm
Dot Size	0.40 x 0.40	mm
Dot Pitch	0.43 x 0.43	mm

## Pin Assignment

Pin	Symbol	Function
1	NC	No connection
2	VCC	Analog power supply input
3	VCOMH	The Com voltage reference input
4	IREF	The Current voltage reference input
5~12	D7~D0	Data bus line
13	RD(E)	80:read signal 68:enable signal
14	WR(R/W)	80:write signal 68:R/W signal
15	D/C	H:Data input L:Command input
16	RES	Hardware reset
17	CS	Chip select control
18	NC	No connection
19	BS2	MCU interface selection
20	BS1	MCU interface selection
21	VDD	Voltage power supply for logic
22~28	NC	No connection
29	VSS	Power supply (GND)
30	NC	No connection

## Dimension



## Electronic Characteristics

Item	Symbol	Condition	Typical Value	Unit
Input Voltage	Vdd	Vdd = +3.3V	3.3	V
Supply Current	Idd	Vdd = +3.3V	190	uA
Pixel Brightness	Lu	Vdd = +3.3V	60	cd/m <sup>2</sup>