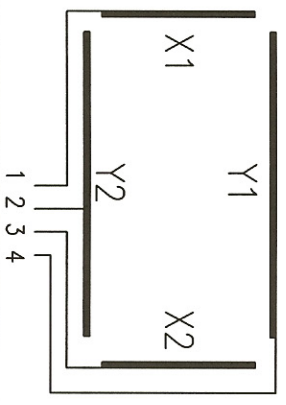


REMARK

1. Glass Thk: 0.7mm
2. Film Type: ANTI-Glare
3. Total Thk: 1.0±0.1mm
4. Linearity: ±1.5 or less
5. Transmittance: 80% or more
6. Resistance
400<X<1200 ohm (Typ: 750 ohm)
100<Y<700 ohm (Typ: 300 ohm)
7. Connector: FPC
8. General Tolerance : ±0.3mm

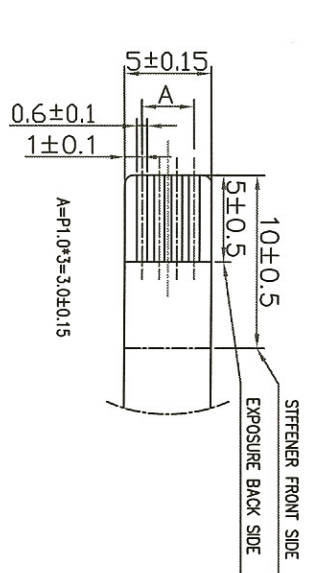
CIRCUIT DIAGRAM



SIGNAL ASSIGNMENT

Pin No	Signal
1	X1
2	Y2
3	X2
4	Y1

Detail "AA" (Scale=3/1)



REV/No	DESCRIPTION	DATE	DRAWN	CHECKED	APPROVED
1	42.75 → 15.0 0.95 → 1.0±0.1	05.03.17	B. J. LEE		J. W. AHN
0	NEW DRAW	05.03.15	B. J. LEE		J. W. AHN

APPROVE	UNIT	mm	PROJECTION	DRAWING NO.	REV.
CHECK	SCALE	NONE			
DESIGN					
DRAW					
DESCRIPTION				4.3 TOUCH PANEL	SHEET
					1/1