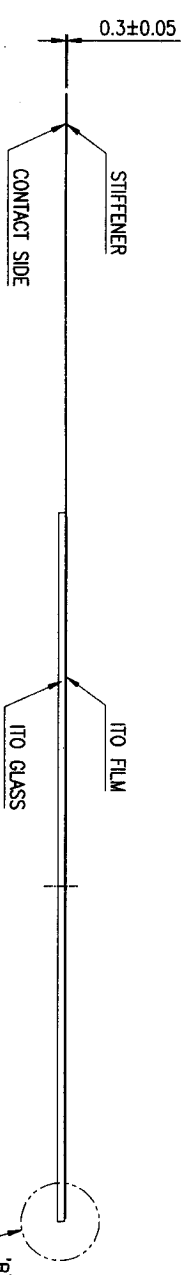
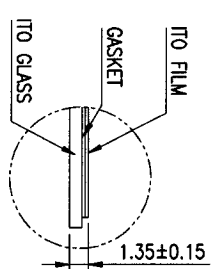
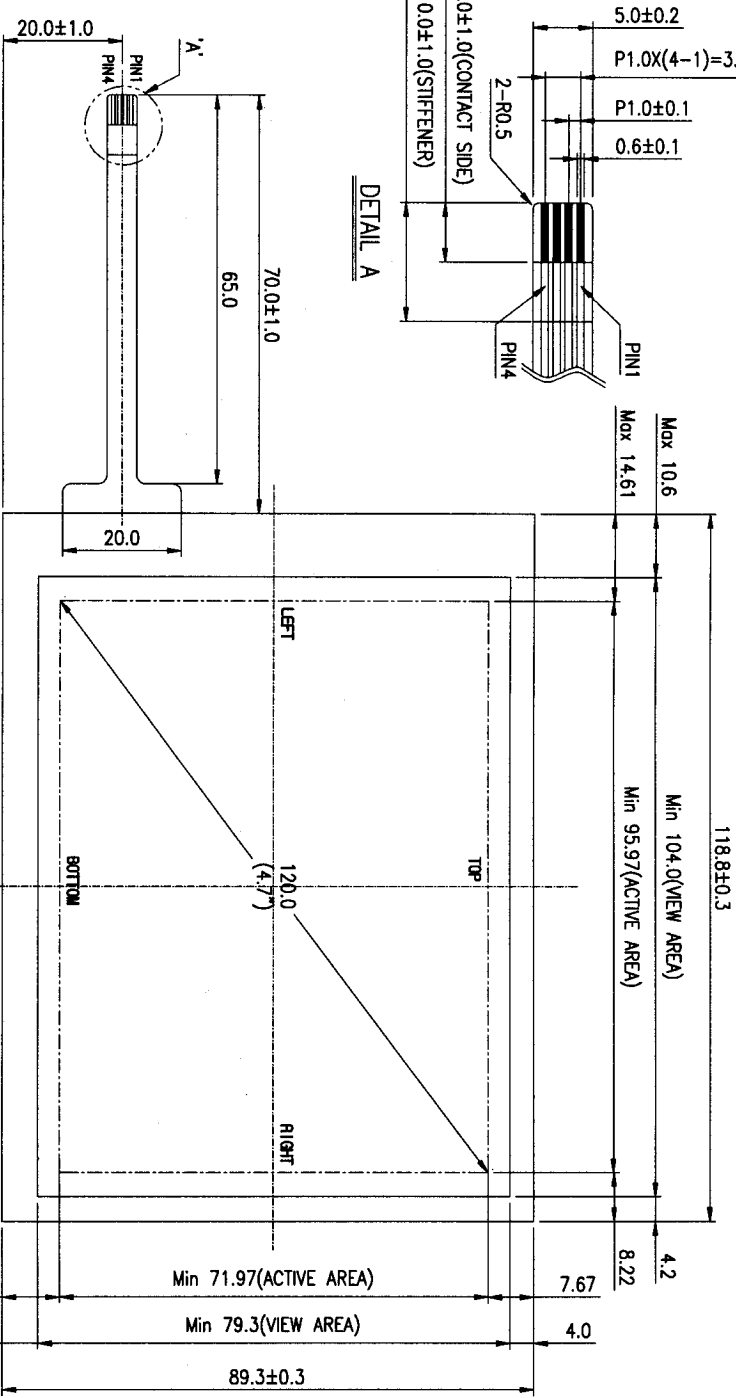
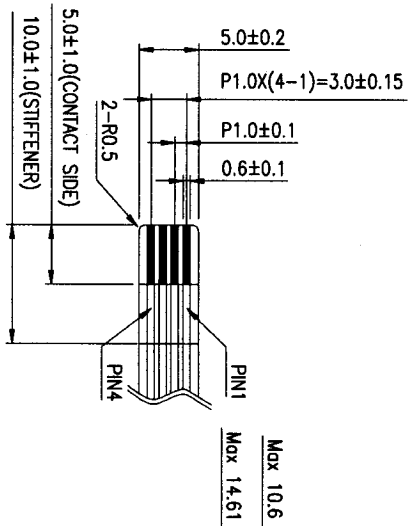


REV. NO.	REVISED	DATE	DRAWN	CHECKED	APPROVED
0	NEW DRAW	01.09.04	M.L.KUMI		



NO	SYMBOL	TERMINAL
1	TOP	TOP
2	LEFT	LEFT
3	BOTTOM	BOTTOM
4	RIGHT	RIGHT

4.7" TOUCH PANEL

SCALE : NONE

- NOTE**
- 1) TYPE : NON-GLARE TYPE
 - 2) GLASS THICKNESS : 1.1mm
 - 3) FILM THICKNESS : 175/188 ± 10µm
 - 4) LINEARITY : ± 1.5% or less
 - 5) TRANSMITTANCE : 80% or more
 - 6) Resistance between Lead : 200-900 Ω
 - 7) CONNECTOR : FPC
 - 8) GENERAL TOLERANCE : ± 0.3

APPROVE	CHECK	DESIGN	DRAW	UNIT	SCALE	NO.	PROJECTION	DRAWING NO.	REV.
		<i>Kangas</i>							
								DESCRIPTION	SHEET
								4.7" TOUCH PANEL	1/1